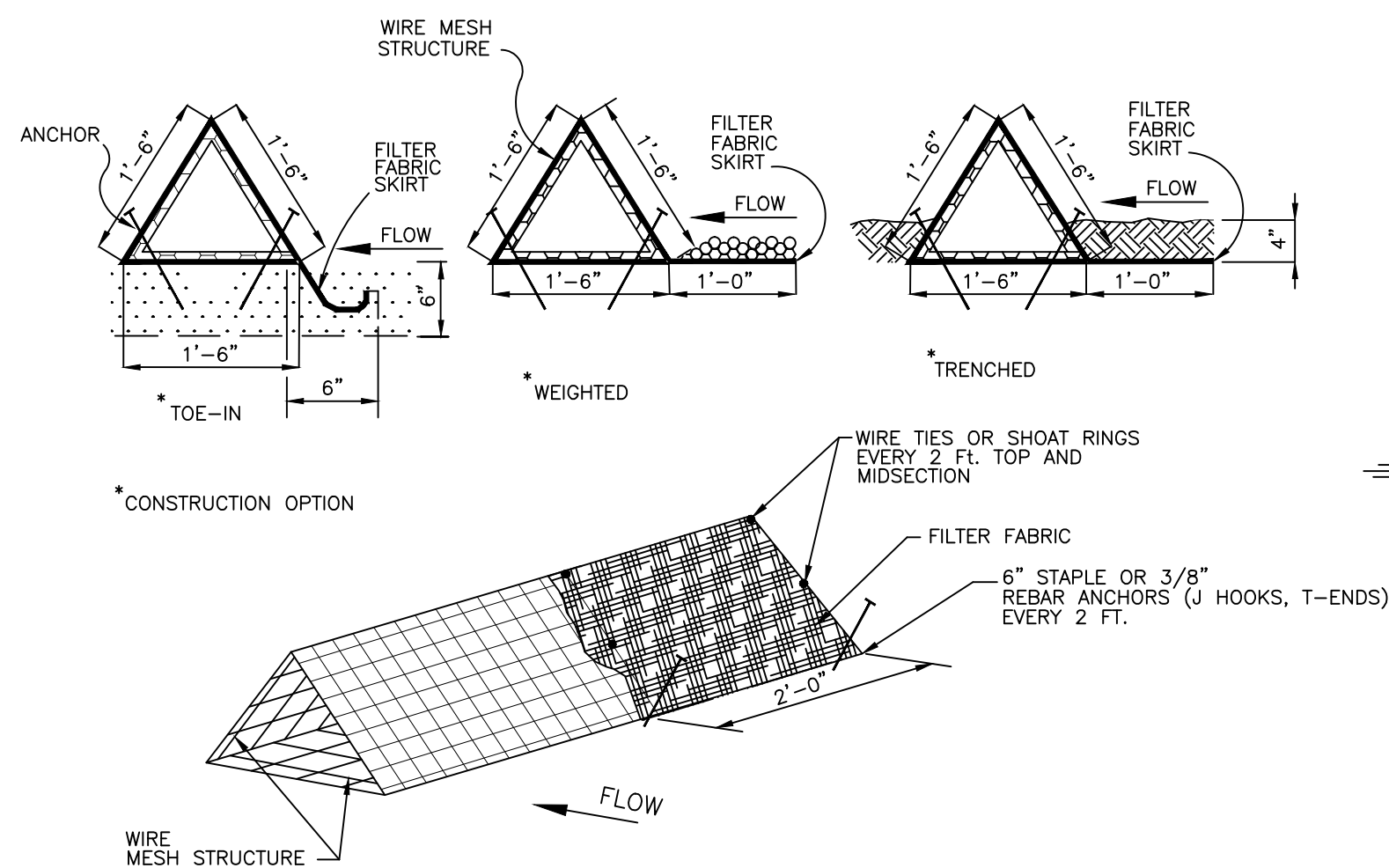
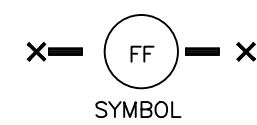


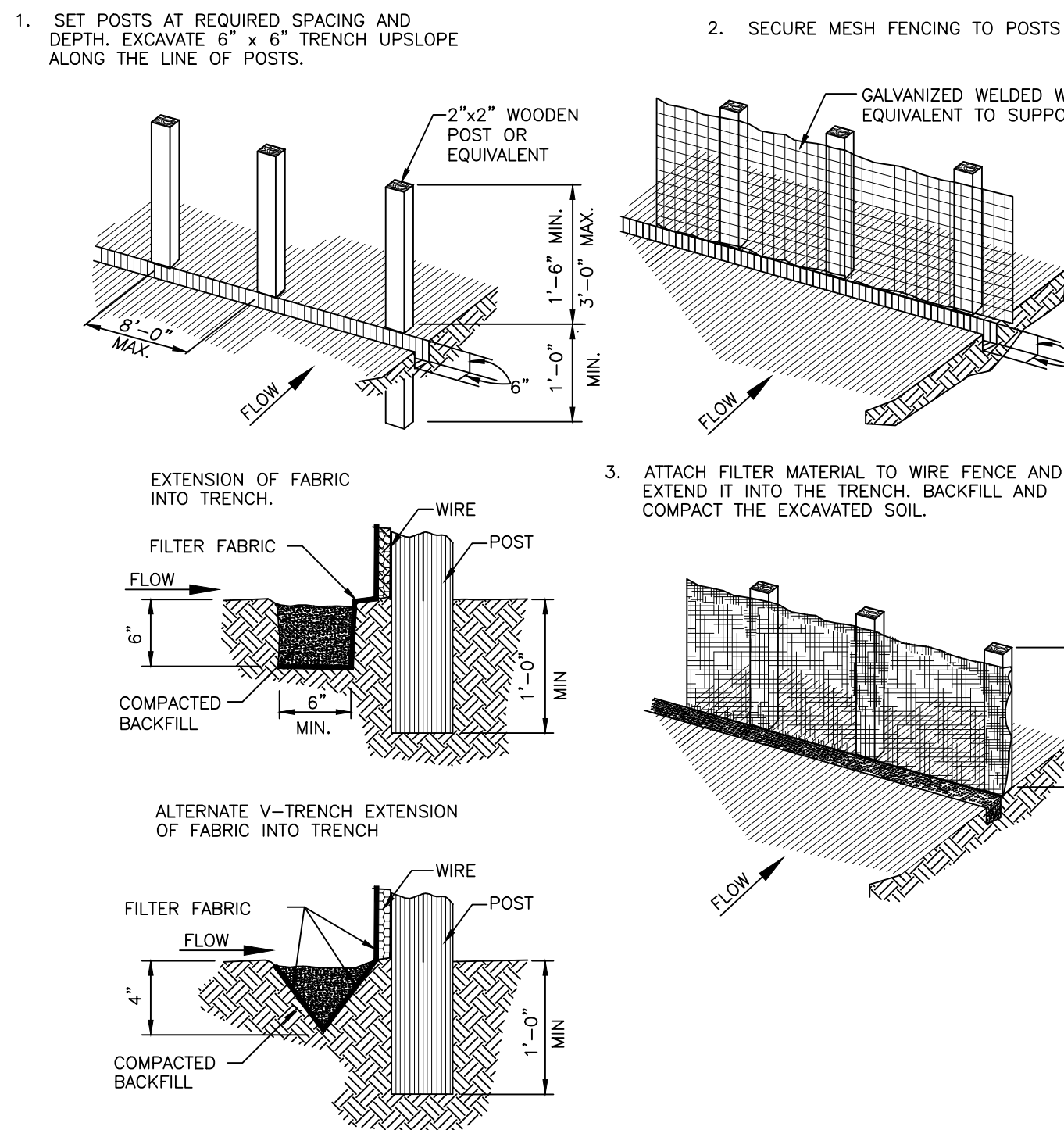
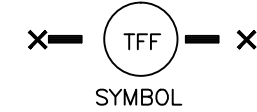
- GENERAL NOTES:**
- SET POSTS AT 4- FEET MAXIMUM SPACING. IF FACTORY PREASSEMBLED FENCE WITH SUPPORT NETTING IS USED, SPACING OF POST MAY BE INCREASED TO 8 FEET MAXIMUM.
 - WHEN TWO SECTIONS OF FILTER FABRIC ADJOIN EACH OTHER, OVERLAP 6 INCHES AT THE POST, FOLD TOGETHER, AND ATTACH TO THE POSTS.
 - REMOVE SEDIMENT DEPOSITS WHEN SILT DEPTH REACHES ONE-THIRD OF THE HEIGHT OF THE FENCE.

FILTER FABRIC FENCE



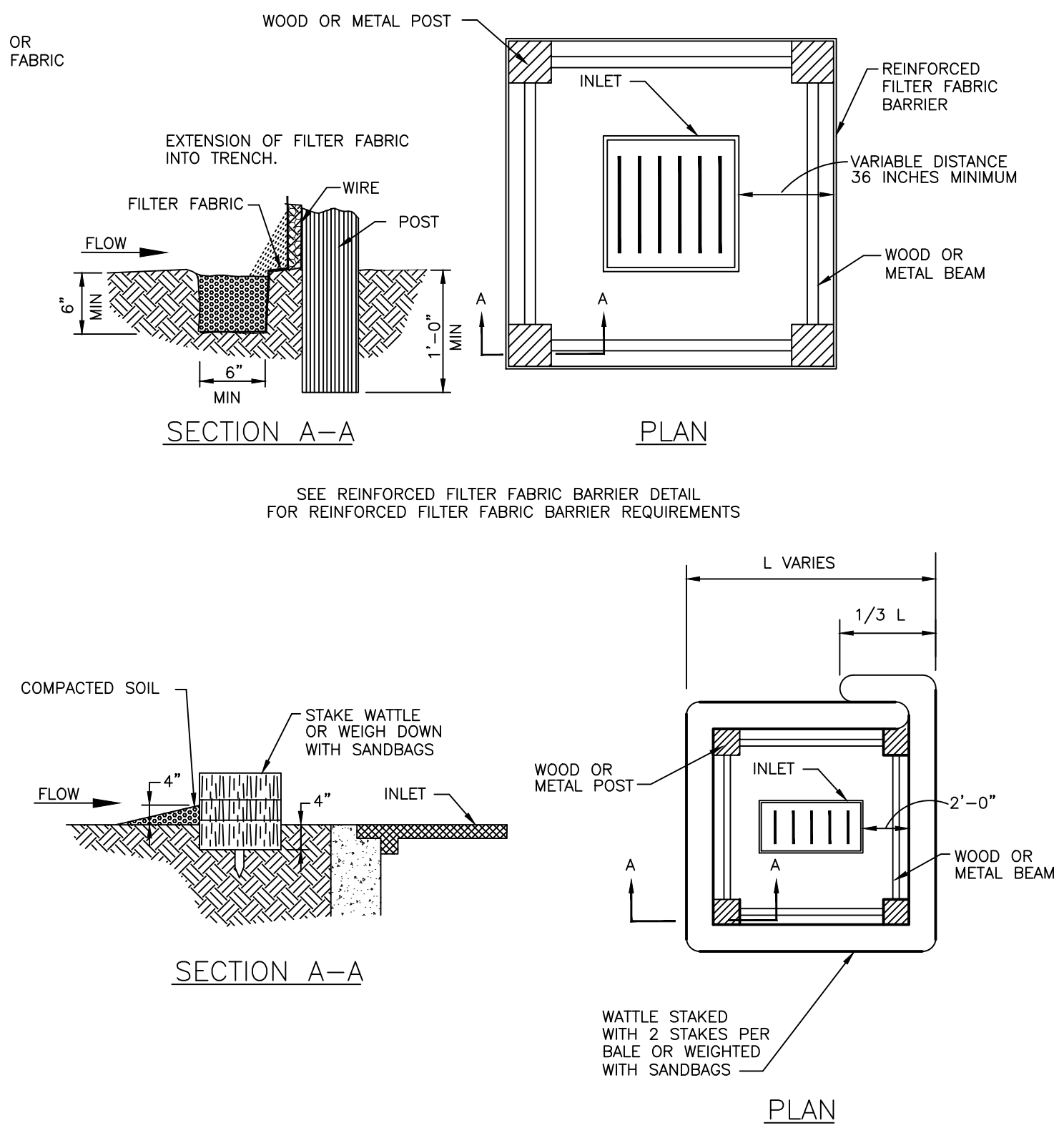
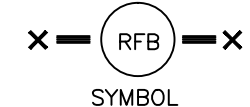
- GENERAL NOTES:**
- PLACE BARRIER IN A ROW WITH ENDS TIGHTLY ABUTTING THE ADJACENT BARRIER.
 - USING ONE CONTINUOUS SECTION OF FILTER FABRIC, WRAP FABRIC AROUND WIRE MESH AND EXTEND FABRIC TO FORM SKIRT ON THE UPSTREAM SIDE.
 - WEIGHT SKIRT WITH A CONTINUOUS LAYER OF 3-INCH TO 5-INCH OPEN GRADED ROCK, OR TOE IN SKIRT WITH SIX INCHES WITH MECHANICALLY COMPACTED MATERIAL.
 - SECURELY ANCHOR BARRIER AND SKIRT IN PLACE USING 6-INCH WIRE STAPLES ON 2-FOOT CENTERS ON BOTH EDGES, OR STAKE USING 18-INCH BY 3/8 INCH REBAR (T-ENDS, J-HOOKS).
 - FILTER FABRIC SHALL BE LAPPED OVER ENDS 6 INCHES TO COVER SEGMENT JOINTS. FASTEN JOINTS WITH GALVANIZED SHOAT RINGS OR EQUIVALENT.
 - THE BARRIER STRUCTURE SHALL BE WELDED WIRE MESH, 18 INCHES ON EACH SIDE.

TRIANGULAR FILTER FABRIC FENCE



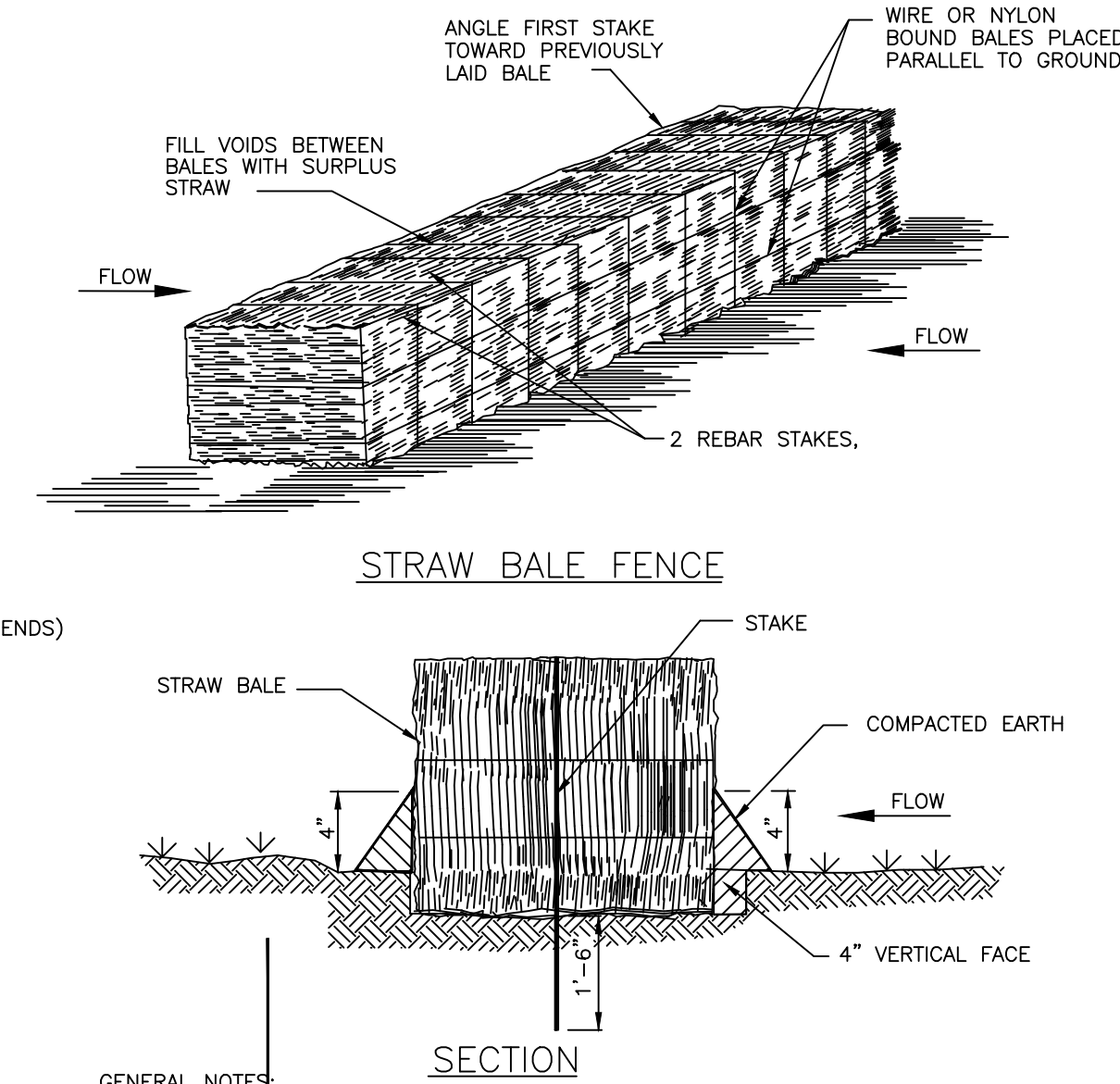
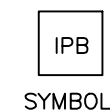
- GENERAL NOTES:**
- SECURELY FASTEN MESH FENCING TO POSTS WITH STAPLES OR TIE WIRES.
 - SECURELY FASTEN FILTER FABRIC TO MESH FENCING.
 - WHEN TWO SECTIONS OF FILTER FABRIC ADJOIN EACH OTHER, OVERLAP 6 INCHES AT A POST, FOLD TOGETHER, AND ATTACH TO A POST.
 - REMOVE SEDIMENT DEPOSITS WHEN SILT REACHES ONE-THIRD OF THE HEIGHT OF THE FENCE IN DEPTH.

REINFORCED FILTER FABRIC BARRIER



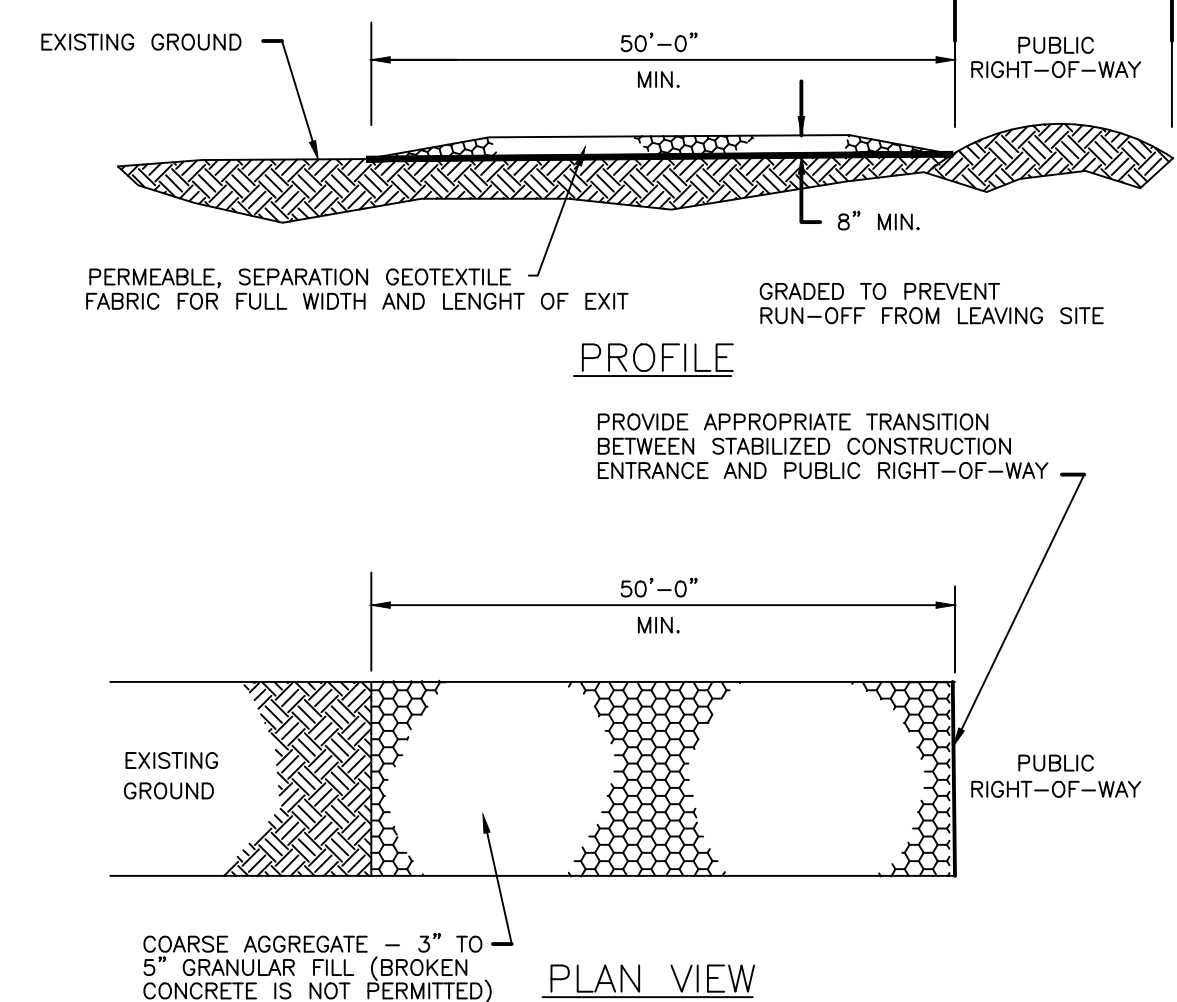
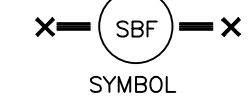
NOTE: TYPICALLY STRAW BALES ARE NOT RECOMMENDED FOR INLET PROTECTION BARRIERS.

INLET PROTECTION BARRIERS FOR STAGE I INLETS



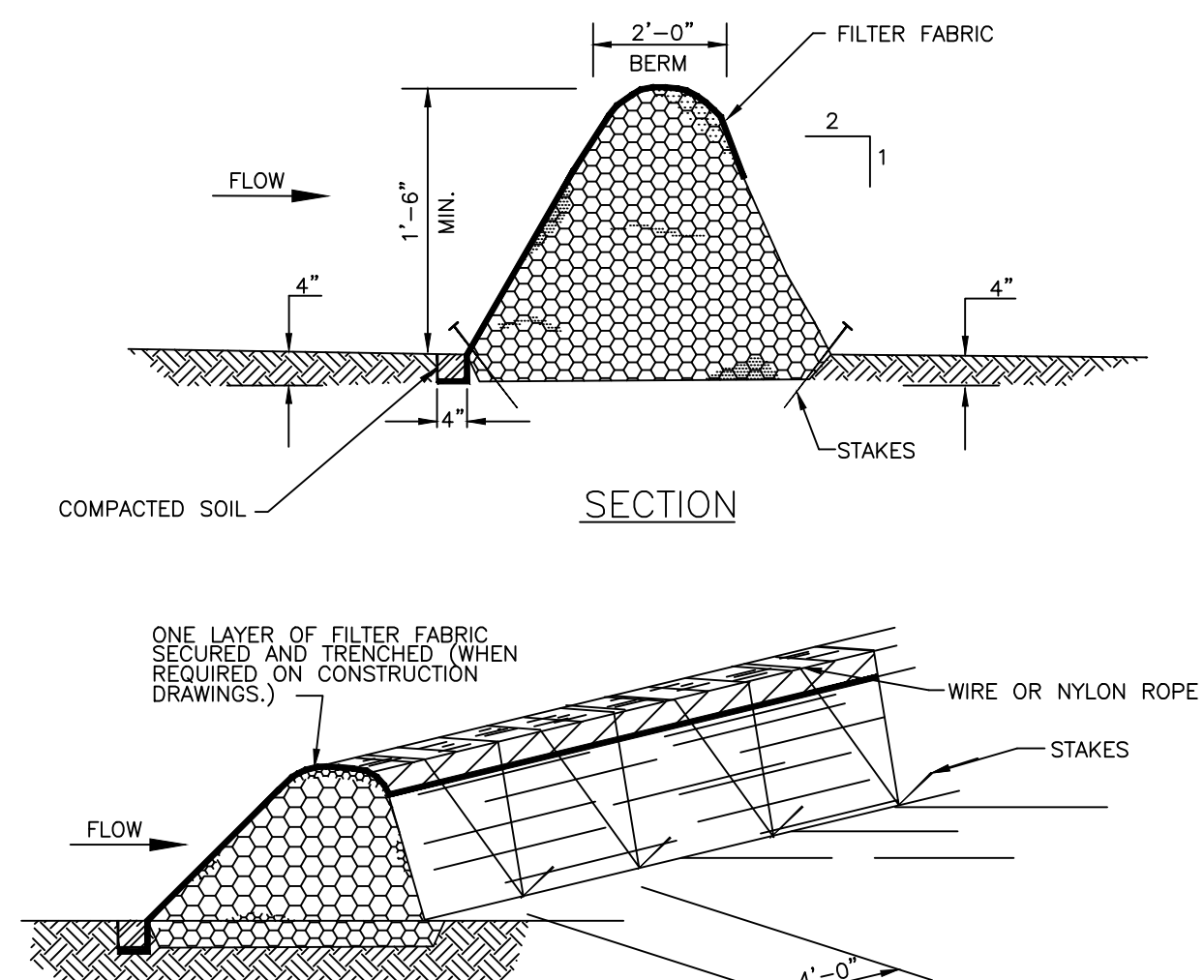
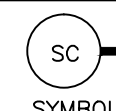
- GENERAL NOTES:**
- LIMIT USE TO ONSITE SWALES FOR PURPOSES OF LOW FLOW VELOCITY DISSIPATION FOR EROSION CONTROL. USE STRAW BALE FENCES TO TREAT OVERLAND FLOW ONLY. DO NOT USE STRAW BALE FENCES TO TREAT FLOW IN CHANNELS.
 - PLACE BALES IN A ROW WITH ENDS TIGHTLY ABUTTING ADJACENT BALES. FILL THE VOIDS BETWEEN BALES WITH SURPLUS STRAW. PLACE BALES WITH BINDING PARALLEL TO GROUND SURFACE.
 - IMBED EACH BALE AT LEAST 4 INCHES IN THE SOIL.
 - SECURELY ANCHOR BALES IN PLACE BY REBAR STAKES. DRIVE STAKE THROUGH THE BALES AND AT LEAST 18 INCHES INTO THE GROUND. ANGLE THE STAKE IN EACH BALE TOWARD THE PREVIOUS BALE TO FORCE THE BALES TOGETHER.
 - BIND BALES WITH WIRE OR NYLON ROPE TIED ACROSS THE STRAW BALES.
 - REPLACE WITH NEW STRAW BALE FENCE EVERY TWO MONTHS.
 - WATTLES STAKED INTO THE GROUND ARE A PREFERRED SUBSTITUTE FOR STRAW BALE FENCES.

STRAW BALE FENCE



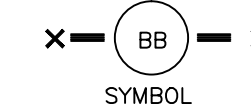
- GENERAL NOTES:**
- MINIMUM LENGTH IS AS SHOWN ON CONSTRUCTION DRAWINGS OR 50 FEET, WHICHEVER IS MORE.
 - CONSTRUCT AND MAINTAIN CONSTRUCTION EXIT WITH CONSTANT WIDTH ACROSS ITS LENGTH, INCLUDING ALL POINTS OF INGRESS OR EGRESS.
 - UNLESS SHOWN ON THE CONSTRUCTION DRAWINGS, STABILIZATION FOR OTHER AREAS WILL HAVE THE SAME AGGREGATE THICKNESS AND WIDTH REQUIREMENTS AS THE STABILIZED CONSTRUCTION EXIT.
 - WHEN SHOWN ON THE CONSTRUCTION DRAWINGS, WIDEN OR LENGTHEN STABILIZED AREA TO ACCOMMODATE A TRUCK WASHING AREA. PROVIDE OUTLET SEDIMENT TRAP FOR THE TRUCK WASHING AREA.
 - PROVIDE PERIODIC TOP DRESSING WITH ADDITIONAL COARSE AGGREGATE TO MAINTAIN THE REQUIRED DEPTH OR WHEN SURFACE BECOMES PACKED WITH MUD.
 - PERIODICALLY TURN AGGREGATE TO EXPOSE A CLEAN DRIVING SURFACE.
 - ALTERNATIVE METHODS OF CONSTRUCTION INCLUDE:
 - CEMENT STABILIZED SOIL: COMPACTED CEMENT STABILIZED SOIL, LIMESTONE AGGREGATE, OR OTHER FILL MATERIAL IN AN APPLICATION OF THICKNESS OF 8 INCHES.
 - WOOD MATS: OAK OR OTHER HARDWOOD TIMBERS PLACED EDGE TO EDGE AND ACROSS SUPPORT WOODEN BEAMS WHICH ARE PLACED ON TOP OF EXISTING SOIL IN AN APPLICATION THICKNESS OF 8 INCHES.
 - STEEL MATS: PERFORATED MATS PLACED ACROSS PERPENDICULAR SUPPORT MEMBERS.

STABILIZED CONSTRUCTION ACCESS



- GENERAL NOTES:**
- LIMIT USE TO ONSITE SWALES FOR PURPOSES OF LOW FLOW VELOCITY DISSIPATION FOR EROSION CONTROL. USE BRUSH BERMS TO TREAT OVERLAND FLOW ONLY. DO NOT USE BRUSH BERMS TO TREAT FLOW IN CHANNELS.
 - PLACE WOODY BRUSH AND BRANCHES HAVING A DIAMETER OF LESS THAN 2 INCHES WITH A 6-INCH OVERLAP. AVOID INCORPORATION OF ANNUAL WEEDS AND SOIL INTO BRUSH BERM.
 - MINIMUM HEIGHT OF THE BRUSH BERM IS 18 INCHES, MEASURED FROM THE TOP OF THE EXISTING GROUND AT THE UPSLOPE TOE TO THE TOP OF THE BERM.
 - HAND PLACE BRUSH BERMS ALONG CONTOUR LINES. MACHINE PLACEMENT OF BRUSH BERMS IS NOT PERMITTED.
 - IMBED BRUSH BERM AT LEAST 4 INCHES INTO THE SOIL.
 - ANCHOR BRUSH BERMS USING WIRE OR NYLON ROPE ACROSS THE BERM WITH A MINIMUM TENSION OF 50 POUNDS.
 - SECURELY TIE THE ROPE TO 18-INCH REBAR STAKES DRIVEN INTO THE GROUND ON 4-FOOT CENTERS ON BOTH SIDES OF THE BERM.
 - PERFORM MAINTENANCE AS NEEDED.

BRUSH BERM



WD Engineering
 TYPE NO F-8795
 410 ASBURY STREET
 HOUSTON, TEXAS 77007
 713.426.3477 OFFICE/FAX
 713.301.4922 CELLULAR
 WDEngineering.COM

11/14/2011
 STATE OF TEXAS
 WILLIAM DAVIS WILKINSON
 85626
 LICENSED PROFESSIONAL ENGINEER

ARCHITECTSPLUS-2011
 THIS DRAWING CANNOT BE REPRODUCED IN ANY FORM WITHOUT THE WRITTEN PERMISSION OF ARCHITECTSPLUS-2011

EXPRESS ENERGY SERVICES
 EL CAMPO, TEXAS

REVISIONS:

DRAWN BY: WD
 DATE: 11/08/11
 JOB # RFM004

SHEET:
C1.4